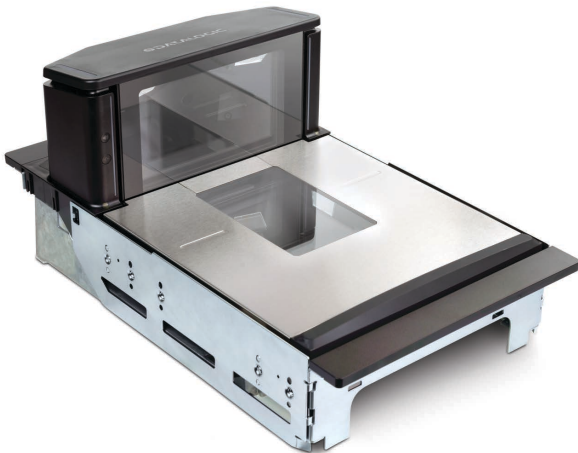


MAGELLAN™ 9600i

QUICK REFERENCE GUIDE



Omnidirectional Imaging Scanner

 **DATALOGIC**

Datalogic S.r.l.

Via S. Vitalino, 13
40012 Calderara di Reno — Italy
Tel. +39 051 3147011
Fax +39 051 3147205

©2022-2023 Datalogic S.p.A. and/or its affiliates

All rights reserved. Without limiting the rights under copyright, no part of this documentation may be reproduced, stored in or introduced into a retrieval system, or transmitted in any form or by any means, or for any purpose, without the express written permission of Datalogic S.p.A. and/or its affiliates.

Owners of Datalogic products are hereby granted a non-exclusive, revocable license to reproduce and transmit this documentation for the purchaser's own internal business purposes. Purchaser shall not remove or alter any proprietary notices, including copyright notices, contained in this documentation and shall ensure that all notices appear on any reproductions of the documentation.

Electronic versions of this document may be downloaded from the Datalogic website (www.datalogic.com). If you visit our website and would like to make comments or suggestions about this or other Datalogic publications, please let us know via the "Contact" page.

Disclaimer

Datalogic has taken reasonable measures to provide information in this manual that is complete and accurate, however, Datalogic shall not be liable for technical or editorial errors or omissions contained herein, nor for incidental or consequential damages resulting from the use of this material. Datalogic reserves the right to change any specification at any time without prior notice.

Trademarks

Datalogic and the Datalogic logo are registered trademarks of Datalogic S.p.A. in many countries, including the U.S.A. and the E.U.

Patents

See www.patents.datalogic.com for patent list.

ORIGINAL VERSION

See the Regulatory Addendum included with your product for additional regulatory, safety and legal information.

TABLE OF CONTENTS

Introduction	1
Certification Label	2
Scanning Items	3
Scan Motion	4
Cleaning	5
Weighing Items with the All-Weighs® Platter (Scale Models) 6	6
Scale Sentry™ Option	6
Electronic Article Surveillance (EAS) Deactivation Options .	7
Sensormatic Coupled Mode	7
Sensormatic Decoupled Mode	7
Controls and Indicators	8
Control Buttons and Indicator LEDs	9
LED and Beeper Indications	10
Error Codes	11
Label Programming Mode Indications	12
Sensormatic® EAS Indications.....	12
Datalogic Warranty	13

MAGELLAN 9600i

INTRODUCTION

The Magellan™ 9600i is a multi-plane imaging bar code scanner with an optional integrated scale, designed to deliver best in class performance for assisted service checkout Lanes or Self-checkout lanes within Retail stores requiring high throughput and ease of use. In addition, this new Magellan portfolio includes multiple options to integrate smart color cameras and neural processors inside the scanner which enable Retail Artificial Intelligence capabilities that improve customer experience and reduce shrink.

The available models are:

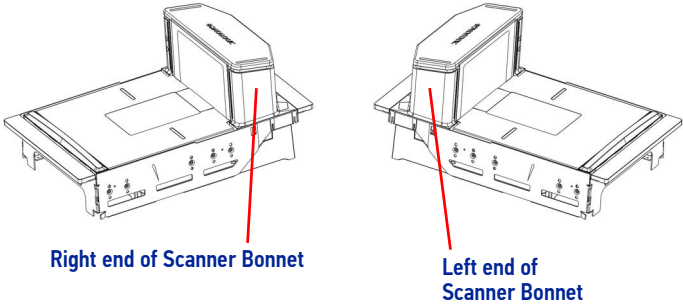
- Magellan 9610 (scanner only)
- Magellan 9611 (scanner only)
- Magellan 9612 (scanner only)
- Magellan 9621 (scanner-scale)
- Magellan 9622 (scanner-scale)

This manual describes their basic operation. For more detailed information about setup, installation and programming, see the Product Reference Guide for this product. These manuals are provided in Portable Document Format (PDF) for viewing and printing from the website listed on the back cover of this manual. Additionally, printed manuals can be ordered from your dealer/distributor.

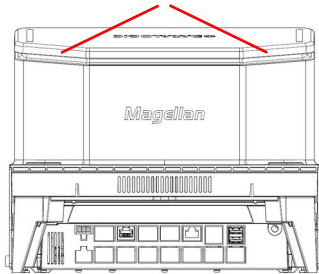
CERTIFICATION LABEL

At the time the local scale regulatory authority certifies the scanner/scale for use, a certification label is affixed to the unit. Depending upon the size and shape of the label, placement can be made in one of the locations shown.

Figure 1. Affixing the Scale Certification Label



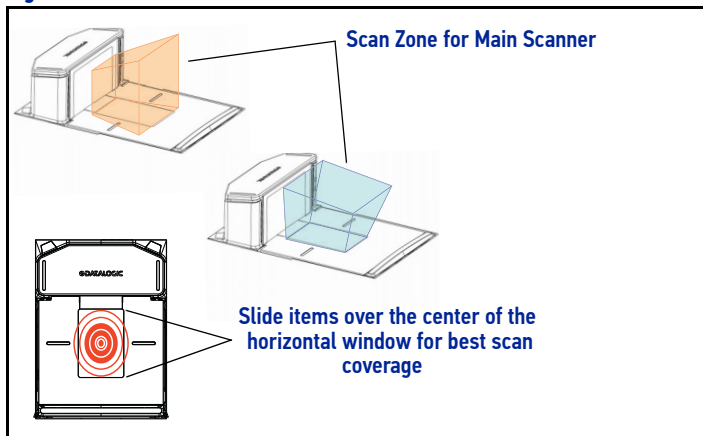
**Atop the Bonnet
underneath the Platter**



SCANNING ITEMS

Slide or push items through the scan zone in a right-to-left or left-to-right movement. The scanner is equally efficient at scanning items in either direction. It is unnecessary to shift the position of the bar code, as the scanner can “read” it from the bottom, top, left, right, front and back side of an item, as long as it is fully within the scan zone.

Figure 2. Scan Zones



For best scanning results...

- Keep items in their natural orientation. Don't favor any of the scan windows.
- Push or slide items instead of lifting them. Avoid unnecessary hand and wrist movements such as rotation, gripping or twisting, as this can cause repetitive motion injuries. This helpful technique can also allay the possibility of lifting thousands of pounds per day



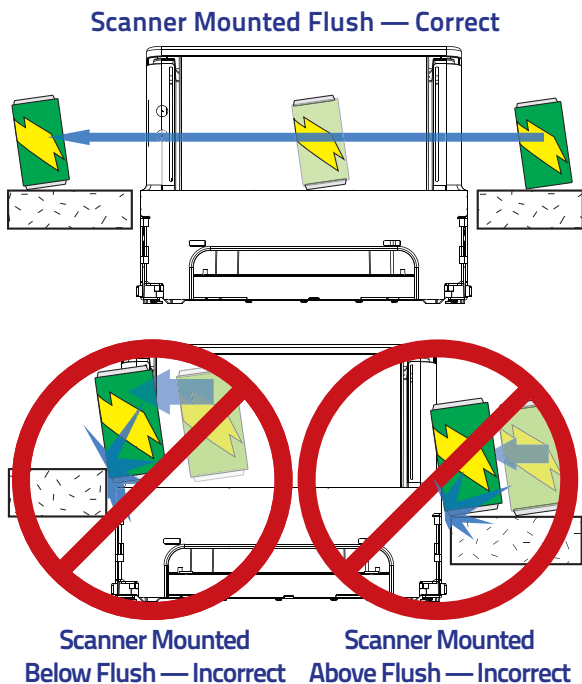
NOTE: If a POS terminal holds the scanner in a disabled state, the scanner enters limited scanning mode which allows reading of programming labels but 'chirps' other labels.

Scan Motion

The scanner has four high resolution cameras, a powerful quad core processor and state of the art decode software to ensure the fastest read rate in the industry even on the most challenging bar codes.

It is important to verify that the platter has been installed flush with the countertop to enhance slide-through scanning (see Figure 1). If the platter is not flush with the counter, contact the installer or your technical support team for assistance.

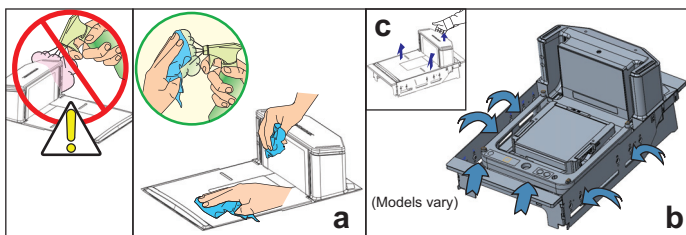
Figure 3. Verify Flush Installation



CLEANING

Exterior surfaces and scan windows exposed to spills, smudges or debris accumulation require periodic cleaning to assure best performance during scanning and weighing operations. Use a clean, lint-free cloth or paper towel dampened with a nonabrasive, mild, water-based window cleaner to wipe away stains, smudges, fingerprints, spills, etc. from the scan window and exterior surfaces.

Figure 4. Cleaning the Scanner



CAUTION: DO NOT use abrasive cleaning agents or abrasive pads to clean this product. Harsh chemicals, disinfectants, and cleansers can cause damage which will adversely affect scanning and weighing performance.

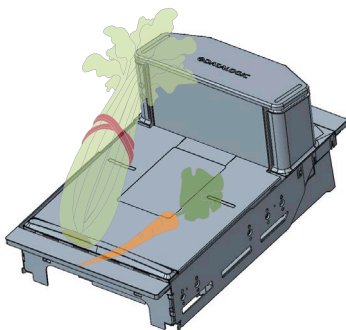
Daily, clean the debris chutes between the platter and the outer housing. Most items can be cleared from the debris chutes by carefully running a thin, stiff object like a credit card along all sides of the weighing surface. If necessary, remove the platter to clean the debris chutes and drip rail.

WEIGHING ITEMS WITH THE ALL-WEIGHS® PLATTER (SCALE MODELS)

Items to be weighed can be placed anywhere on the L-shaped All-Weights® platter (weigh platter) surface. The unique platter design allows you to place items anywhere on its surface. Oversized items can even be accurately weighed while leaned against the center of its vertical section.

In addition, the Produce Rail™ allows items to rest above the counter and other non-weighing surfaces. Once weighed items have been positioned, enter PLU (Price Look-Up) data as described in your POS system instructions. Item weight is displayed on the Remote Display and/or the host display.

Figure 5. Weighing Items



Scale Sentry™ Option

The optional ScaleSentry feature monitors items placed on the platter to detect and indicate if they are overhanging non-weighing surfaces. If the system's infrared (IR) beams sense items encroaching past the sides of the weigh platter, the speaker will sound a unique tone and/or the ScaleSentry LED indicator will illuminate to indicate a ScaleSentry error condition. A scale transaction cannot be completed until the item(s) are repositioned to rest fully on the platter (move them towards the center), clearing the condition. Reference the PRG for more ScaleSentry options and details.

ELECTRONIC ARTICLE SURVEILLANCE (EAS) DEACTIVATION OPTIONS



CAUTION: If applicable, apply power to the EAS Controller box before powering on the scanner.

Deactivation of Sensormatic® or Checkpoint® EAS tags is an optional function. The scanner must be expressly enabled to perform in either capacity.



NOTE: The following items apply only to Sensormatic EAS systems. They do not apply to Checkpoint or Nedap EAS systems.

- For an EAS tag to be deactivated it must be close enough to the glass panel on the platter to be sensed
- The scanner will emit a “bonk” sound on attempts to deactivate the EAS tag

Sensormatic Coupled Mode

When the scanner is configured to use Coupled EAS Deactivation Mode, deactivation of a given item happens automatically following its bar code being successfully read.

Sensormatic Decoupled Mode

When in Decoupled Mode, deactivation is independent of the scanning function. To deactivate an active EAS tag, simply place it on the platter or pass it over the scanner, in the same manner you would scan a bar code.

CONTROLS AND INDICATORS

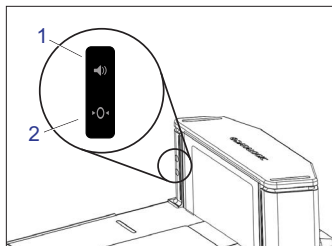
The scanner features two prominent LED indicator bars on top of its vertical “bonnet” as well as two front-facing LED indicator bars, as shown below.



Figure 6. LED Indicators



Control Buttons and Indicator LEDs

A panel on the left side of the vertical scan window contains control buttons and more LED indicators. Additionally, a configurable speaker is used to sound scanning, weighing and EAS deactivation indications.



1	Scanner Control Button	2	Scale Zero Button
	<ul style="list-style-type: none"> -If the scanner is “asleep”, press this button to wake it up. -Press this button momentarily to enter beeper volume change state. Select one of five volume settings. -Press this button between 3 and 5 seconds to enter beeper tone change state. -Press this button between 5 and 9 seconds to enter Scanner Diagnostics Mode. -Press this button for 30 seconds to initiate a soft reset. 		<p>With all weight removed from the scale, push this button to set the scale to zero.</p>

LED AND BEEPER INDICATIONS

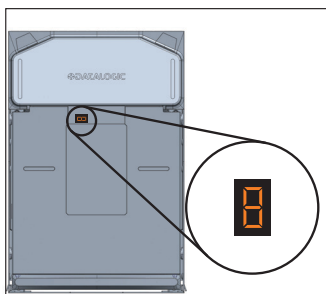
The scanner's beeper sounds and its lamps and indicator LEDs illuminate to indicate various functions or errors. The tables in this section list some of these indications. Reference the PRG for a more complete listing. One exception to the behaviors listed is that some functions are programmable, and may or may not be turned on. For example, certain indications such as the power-up beep can be disabled using programming bar code labels.

INDICATION	SCAN- NER LED	BEEPER			
		Count	Fre- quency	Volume	Duration
Pre-operating Mode	OFF	OFF			
Power-up Beep Default sound is a synthesized chord ending with two light bells.	N/A	Unique WAV file sound.			
Good Read Beep Frequency, volume and duration are configurable	Bright flash	1	Current	Current	Current
ROM Failure Indicates either Boot or Program ROM failure.	200ms ON 200 ms OFF	1	Error	Highest	200ms ON 200ms OFF
Scanner Active Mode The scanner is ready for operation. Scanning is immediately available.	On steady and dim	N/A			
Scanner Disabled The Host has disabled scanning.	Continuous blink 100ms ON / 900ms OFF	N/A			
Sleep Mode The scanner has been inactive for a period and is in a power-saving mode.	10ms ON 1990ms OFF	N/A			
Chirp Indications A "Chirp" is used to indicate the following: -Reading labels while in limited scanning mode. -Label rejection during label programming. -A label with no data. -Labels rejected through the auxiliary port when in Scanner Diagnostics Mode.	N/A	6	Highest	Current	20ms ON 20ms OFF

INDICATION	SCALE LED	BEEPER
Scale at Zero The scale is at rest and reads zero weight. The scale is ready to weigh.	On steady	N/A
Scale Error Reporting When the scanner is in Scale Diagnostics Mode, the Remote Scale Display and the Scale LED indicator can communicate specific scale failures. See the PRG for more details.	Coded sequence	N/A

Error Codes

Upon startup, if the scanner sounds a long error tone then alternating flashing of the green and yellow LED indicators, and an error code is displayed on the Health & Status Indicator, the scanner has not passed its automatic Selftest and has entered FRU (Field Replaceable Unit) isolation mode. The scanner remains in this mode until any button is pushed.



After a button is pushed, the scanner flashes the green LED a set number of times to indicate the error code. After one cycle of flashing has passed, another button push resets the scanner. The PRG describes the LED flash codes associated with an error found. If your scanner indicates any of these errors, note the code number, then contact Helpdesk for assistance.

Label Programming Mode Indications

These indications occur only when the scanner is in Programming Mode or when placing the scanner in that mode.

INDICATION	LED	BEEP(S)
Label Programming Mode Entry	Continuous blink 1 sec. ON / 1 sec. OFF	Same as good read indication
Acceptance of Partial Labels	N/A	1
Partial Label Reading Cancel	N/A	6
Acceptance of Complete Labels	N/A	3

Sensormatic® EAS Indications

If the scanner is equipped with the optional Sensormatic EAS option, various deactivation and validation indications will be enabled.

INDICATION	BEEPER			
	Count	Fre- quency	Volume	Duration
Entering EAS Coupled Mode	N/A			
Upon sensing an inactive to active transition ^a	N/A			
Upon sensing an active to inactive transition ^a	N/A			
Upon receiving validation of EAS tag deactivation ^a	1 ^b	~ 1500 Hz	Current	Configurable
EAS Bad Beep ^a	Same as FRU error tone			

a. While in EAS Coupled Mode.

b. Beep sounds only if configured (see the PRG for options).

DATALOGIC WARRANTY

Datalogic warrants that the Products shall be free from defects in materials and workmanship under normal and proper use during the Warranty Period. Products are sold on the basis of specifications applicable at the time of manufacture and Datalogic has no obligation to modify or update Products once sold. The Warranty Period shall be **one year** from the date of shipment by Datalogic, unless otherwise agreed in an applicable writing by Datalogic.

Datalogic will not be liable under the warranty if the Product has been exposed or subjected to any: (1) maintenance, repair, installation, handling, packaging, transportation, storage, operation or use that is improper or otherwise not in compliance with Datalogic's instruction; (2) Product alteration, modification or repair by anyone other than Datalogic or those specifically authorized by Datalogic; (3) accident, contamination, foreign object damage, abuse, neglect or negligence after shipment to Buyer; (4) damage caused by failure of a Datalogic-supplied product not under warranty or by any hardware or software not supplied by Datalogic; (5) any device on which the warranty void seal has been altered, tampered with, or is missing; (6) any defect or damage caused by natural or man-made disaster such as but not limited to fire, water damage, floods, other natural disasters, vandalism or abusive events that would cause internal and external component damage or destruction of the whole unit, consumable items; (7) use of counterfeit or replacement parts that are neither manufactured nor approved by Datalogic for use in Datalogic-manufactured Products; (8) any damage or malfunctioning caused by non-restoring action as for example firmware or software upgrades, software or hardware reconfigurations etc.; (9) loss of data; (10) any consumable or

equivalent (e.g. cables, power supply, batteries, etc.); or (11) any device on which the serial number is missing or not recognizable.

THE DATALOGIC WARRANTIES ARE EXCLUSIVE AND IN LIEU OF ALL OTHER WARRANTIES, WHETHER WRITTEN, EXPRESS, IMPLIED, STATUTORY OR OTHERWISE, INCLUDING, BUT NOT LIMITED TO, THE IMPLIED WARRANTIES OF MERCHANTABILITY AND FITNESS FOR PARTICULAR PURPOSE. DATALOGIC SHALL NOT BE LIABLE FOR ANY DAMAGES SUSTAINED BY BUYER ARISING FROM DELAYS IN THE REPLACEMENT OR REPAIR OF PRODUCTS UNDER THE ABOVE. THE REMEDY SET FORTH IN THE WARRANTY STATEMENT IS THE BUYER'S SOLE AND EXCLUSIVE REMEDY FOR WARRANTY CLAIMS. NO EXTENSION OF THIS WARRANTY WILL BE BINDING UPON DATALOGIC UNLESS SET FORTH IN WRITING AND SIGNED BY DATALOGIC'S AUTHORIZED REPRESENTATIVE. DATALOGIC'S LIABILITY FOR DAMAGES ON ACCOUNT OF A CLAIMED DEFECT IN ANY PRODUCT DELIVERED BY DATALOGIC SHALL IN NO EVENT EXCEED THE PURCHASE PRICE OF THE PRODUCT ON WHICH THE CLAIM IS BASED. DATALOGIC SHALL NOT BE LIABLE FOR DAMAGES RELATING TO ANY INSTRUMENT, EQUIPMENT, OR APPARATUS WITH WHICH THE PRODUCT SOLD UNDER THIS AGREEMENT IS USED. Further details on warranty coverage, rights and conditions are addressed under and regulated by the Terms and Conditions of Sales of Datalogic available at https://www.datalogic.com/terms_conditions_sales.

©2022-2023 Datalogic S.p.A. and/or its affiliates • All rights reserved • Without limiting the rights under copyright, no part of this documentation may be reproduced, stored in or introduced into a retrieval system, or transmitted in any form or by any means, or for any purpose, without the express written permission of Datalogic S.p.A. and/or its affiliates • Datalogic and the Datalogic logo are registered trademarks of Datalogic S.p.A. in many countries, including the U.S. and the E.U.

The Datalogic logo consists of a stylized blue circle with a white cross-like shape inside, followed by the word "DATALOGIC" in a bold, blue, sans-serif font.

www.datalogic.com

Datalogic S.r.l.

Via S. Vitalino, 13 | 40012 Lippo di Calderara di Reno |
Bologna - Italy Tel. +39 051 3147011 |
Fax +39 051 3147205



820124002

(Rev. C)

November 2023